

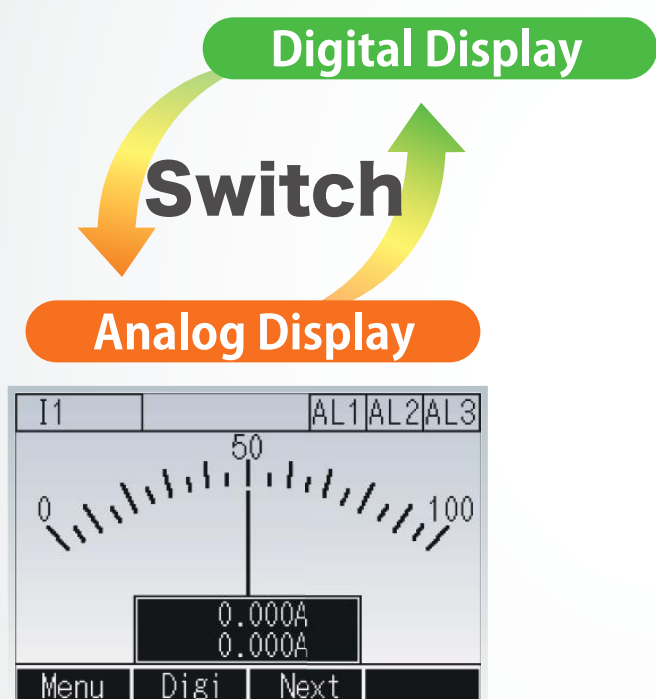
Modbus TCP

Full Dot LCD

Versatile Measurement

Meter For Overseas

HXM-96



Full Dot LCD

To improve the operability with full dot LCD.
To change Analog to Digital and vice-versa.

Versatile Measurement

The unit can switch phase-wire rated current input and voltage input with the settings.
The type selection under measurement condition is not required.

Modbus TCP

Modbus TCP is provided, allowing to use the Internet.

Full Dot LCD Model

【 Type Selection (Body) 】

HXM-96-①②③-9⑤0-⑦

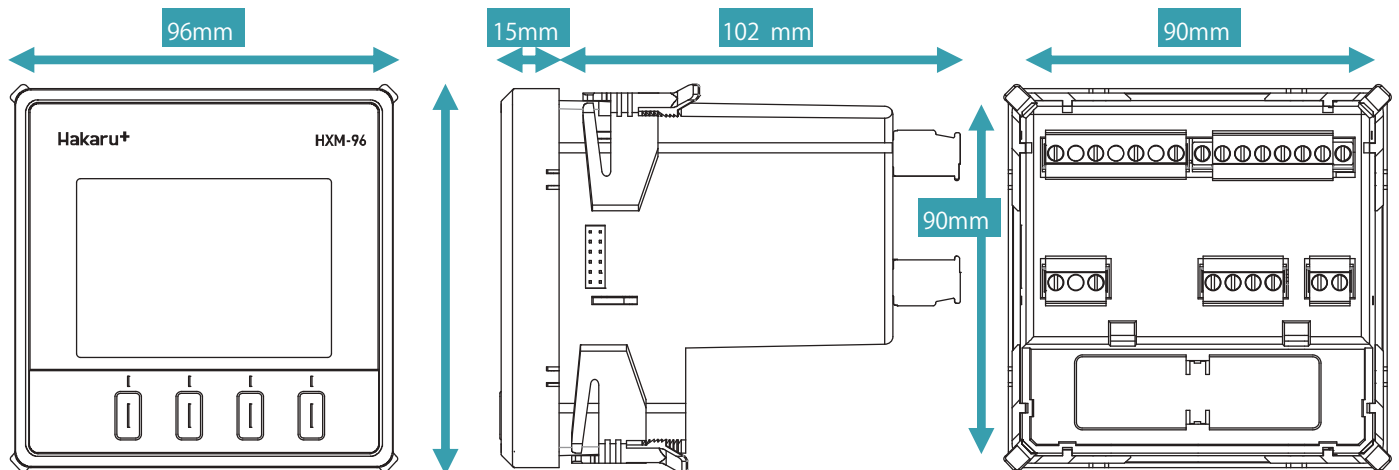
| ① | Phase-Wire |
|---|---|
| 9 | P2W / 1P3W / 3P3W / 3P4W |
| ② | Rated Input Voltage |
| 9 | 100V - 480V(L to L) 57.7V - 277V(L to N) |
| ③ | Current Rated Input |
| 9 | 1A / 5A |

| ⑤ | Option |
|---|-------------------------------------|
| 0 | No Option |
| 9 | USB Flush Drive (Under development) |
| ⑦ | Auxiliary Power Supply |
| 1 | 80 - 264V AC/DC |

【 Type Selection (Option Unit) 】

HXM-96-0P-⑧⑨⑩

| ⑧⑨⑩ | Option |
|-----|------------------|
| DA0 | 3 DIs / 3 Alarms |
| MT0 | Modbus/TCP |



HAKARU PLUS CORPORATION

Head office and factory

3-5-11 Tgawa, Yodogawa-ku, Osaka City,
Osaka 532-0027, Japan
Tel: (+81) 6-6300-2111

TAKEMOTO VIETNAM CO., LTD.

HCMC Rep. Office
1F, 60 Nguyen Dinh Chieu St.,
DaKao Ward, Dist.1, Ho Chi Minh City
Tel: (+84) 8-2220-2225

Hakaru+

Scale up your business
www.hakaru.jp